

RIDGE DETAILS

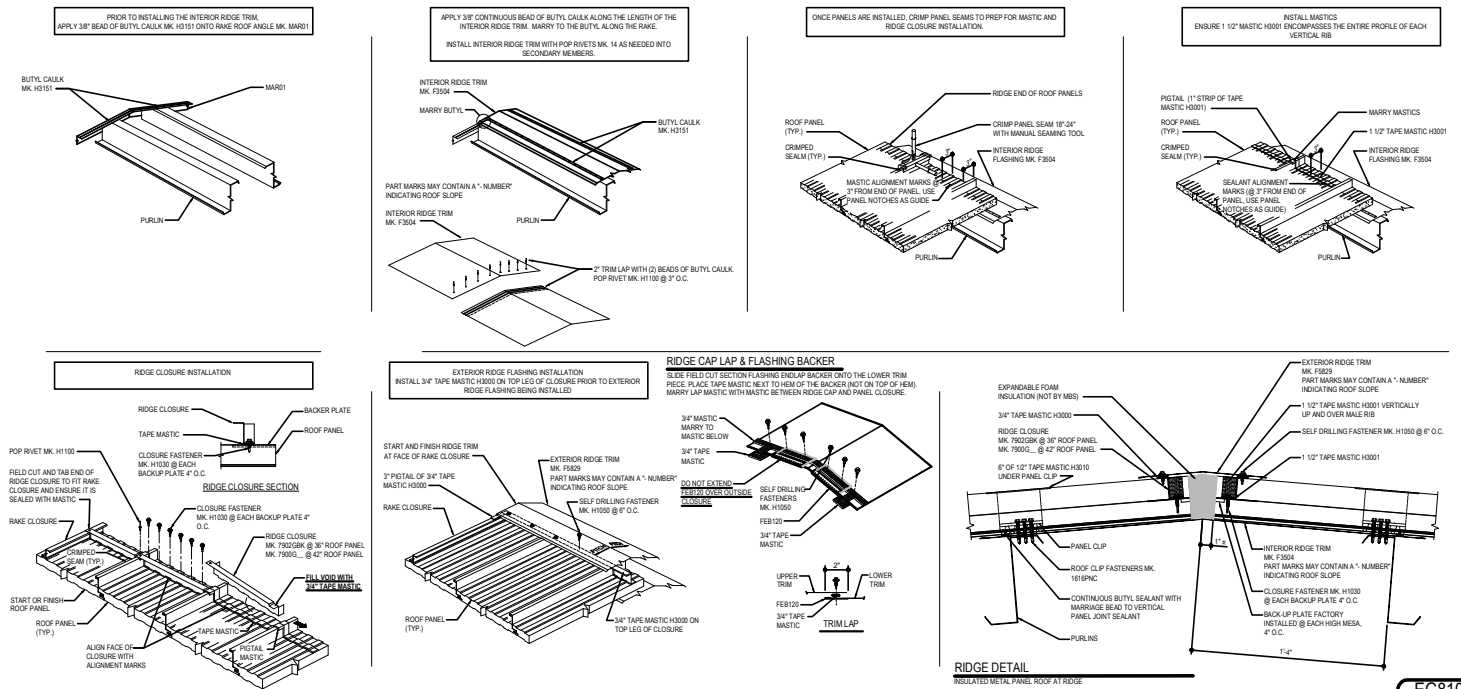
EG8100-RIDGE

EG8110-EXPLODED RIDGE

EG8200-FIELD FABRICATED PEAK BOX

EG8100 - RIDGE

Download the DWG file by clicking [here](#).

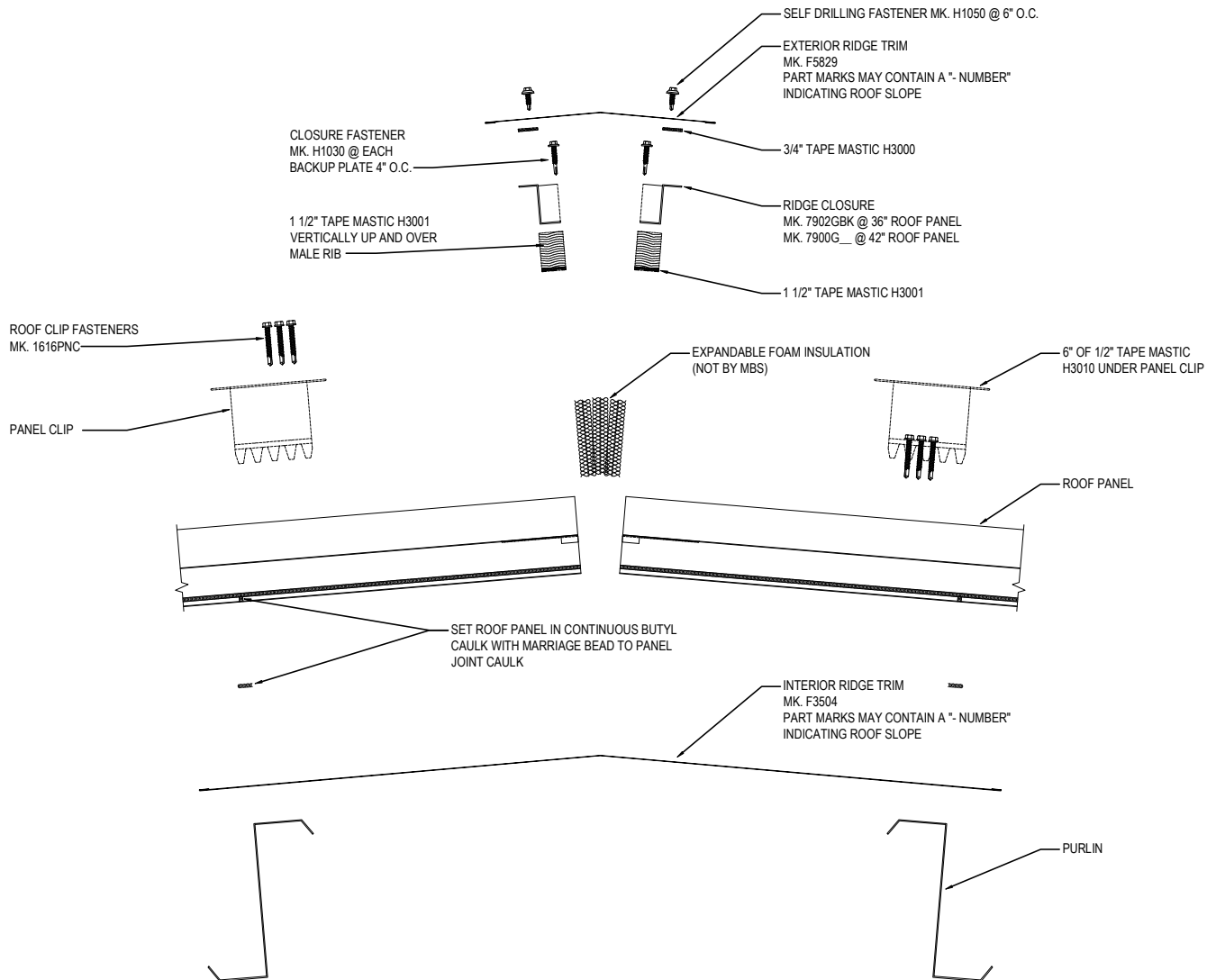


Detailer Notes:

1) N/A

EG8110 - EXPLODED RIDGE

[Download the DWG file by clicking here.](#)



RIDGE DETAIL
EXPLODED INSULATED METAL PANEL ROOF AT RIDGE

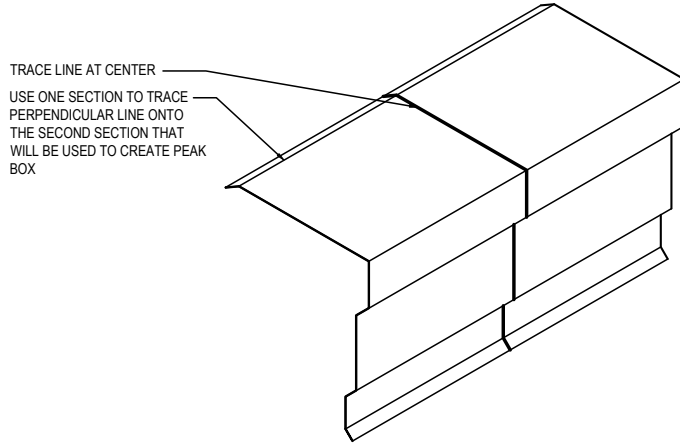
EG8110

Detailer Notes:

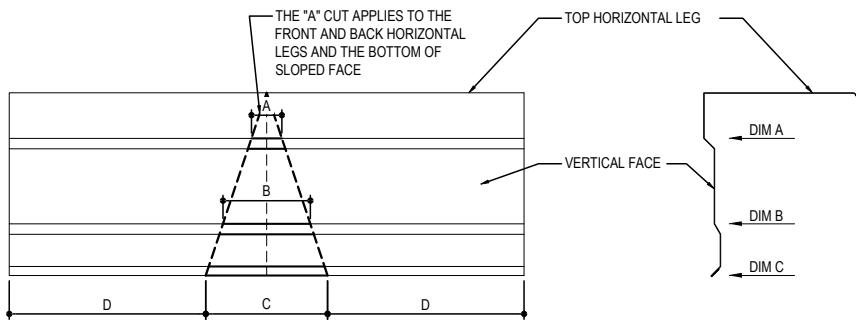
- 1) N/A

EG8200 - FIELD FABRICATED PEAK BOX

[Download the DWG file by clicking here.](#)

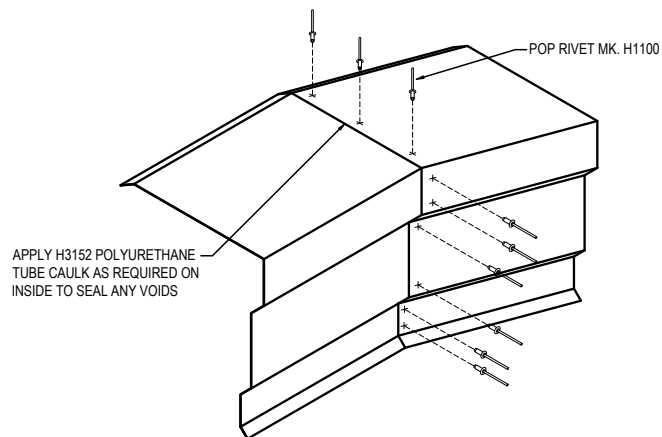
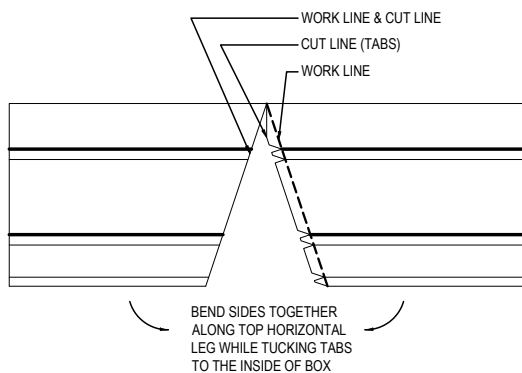


ROOF SLOPE	LAYOUT DIMENSION (INCHES)			
	A	B	C	D
0.25:12	1/8"	1/4"	3/8"	11 7/8"
0.50:12	1/4"	1/2"	3/4"	11 5/8"
1:12	3/8"	1"	1 1/2"	11 3/8"
2:12	3/4"	2 1/8"	2 7/8"	10 5/8"
3:12	1 1/8"	3 1/8"	4 1/4"	9 7/8"
4:12	1 1/2"	4 1/8"	5 3/4"	9 1/4"
5:12	1 3/4"	5 1/8"	7 1/8"	8 1/2"
6:12	2 1/8"	6 1/8"	8 1/2"	7 3/4"



STEP BY STEP INSTRUCTIONS

1. CUT THE TRIM INTO (2) 2'-0" ± LENGTHS
2. LAYOUT THE WORK LINES AS SHOWN
3. OFFSET ONE OF THE WORK LINES FOR TABS LAYOUT
4. MAKE CUTS AS SHOWN
5. BEND AT THE TOP HORIZONTAL LEG OF THE TRIM
6. POP RIVET THE TWO SIDES TOGETHER WITH MK. H1100
7. CAULK ANY GAPS AS REQUIRED ON INSIDE WITH H3152 POLYURETHANE TUBE CAULK



FIELD FABRICATED PEAK BOX INSTRUCTIONS

REFERENCE PEAK BOX DETAIL FOR INSTALLATION

EG8200

Detailer Notes:

- 1) N/A